

Drawing



Tools for Chefs

Hendi B.V.
 Steenoven 21
 3911 TX Rhenen
 The Netherlands

Batch #
 HK033219 and
 up


Appliance part#
210086

Description
Slicer Profi Line 250 red edition

Date	26-10-2020	Revision #	1.0
Revision	First Bill of Materials (BOM)		



Bill of materials (BOM)

 <b style="font-size: 24px; margin-left: 10px;">HENDI Tools for Chefs Hendi B.V. Steenoven 21 3911 TX Rhenen The Netherlands	Batch #	Appliance part#
	HK033219 and up	210086
	Description	
Slicer Profi Line 250 red edition		

Date	26-10-2020	Revision #	1.0
Revision	First Bill of Materials (BOM)		


Item	Description	Part#	Quantity	Remark	Picture
1	Housing	n/a	1		
2	Plate (thickness adjustment)	926499	1		
3	Sledge complete	958247	1	Incl. items 3, 7-11, 14, 28, 35, 55, 64-67, 73-76, 85 and 88	
4	Guard disc knife	901939	1	Incl. item 63	
5	Knife Ø250mm	901915	1		
6	Guard ring	n/a	1		
7	Sledge bracket	n/a	1		
8	Product holder	926505	1	Incl. items 8-11 and 64	
9	Bushing	nss	1	Available as 926505 and 958247	
10	Handle	nss	1	Available as 926505 and 958247	
11	Block	nss	1	Available as 926505 and 958247	
12	Motor 320W	928455	1		
13	Bracket	n/a	1		
14	Rod Ø12x185	nss	1	Available as 958247	
15	Bolt (guard disc)	901762	1		
16	Ball Bearing (6202)	nss	2	Available as 903933	
17	Pulley	nss	1	Available as 903933	
18	Axle	nss	1	Available as 903933	
19	Belt (TB2-330X14)	929155	1		
20	Cover	n/a	1		
21	Power cord	930014	1		
22	Axle	n/a	1		
23	Knob thickness adjustment	903957	1		
24	Washer	n/a	1		
25	Cam	903940	1		
26	Pin	n/a	1		
27	Bracket plate thickness adjustment	n/a	1		
28	Retaining plate	n/a	2		
29	Spring	n/a	2		
30	Axle	n/a	1		
31	Guide bar	n/a	1		
32	Mounting bracket sledge	n/a	1		
33	Bolt M8x35	n/a	1		
34	Ball bearing (607)	n/a	1		
35	Knob	nss	1	Available as 958247	
36	PCB	910788	1		
37	Capacitor	926604	1		
38	Bracket	n/a	1		
39	Cover switch	901847	1		
40	Switch	914953	1		
41	Bottom cover	901779	1		
42	Scaper	926512	1	Incl. item 70 and 71	
43	Cap (red)	nss	1	Available as 958254	
44	Bracket	nss	1	Available as 958254	
45	Holder grinding unit	n/a	1		
46	Knob	nss	2	Available as 958254	
47	Grinding stone (fine)	901793	1	Also in set 958254	
48	Grinding stone (coarse)	901786	1	Also in set 958254	
49	Pin	nss	2	Available as 958254	
50	Spring	nss	2	Available as 958254	
51	Pin incl. magnet	nss	1	Available as 958254	
52	knob	n/a	1		
53	Feet	901830	1	Set of 4 pcs	

54	Stud	n/a	3		
55	Guard sledge	901991	1	Incl. item 66 and 67, also in set 958247	
56	Bolt	n/a	1		
57	Pulley motor	914960	1		
58	Bracket	n/a	1		
59	Axle complete assembly	903933	1	Incl. item 16,17,18,19,61,62,and 89	
60	Grinding unit complete assembly	958254	1	Incl. item 43 and 81	
61	Washer	nss	1	Available as 958254	
62	Circlip Ø15	nss	1		
63	Square nut	nss	1	Available as 901939	
64	Screw	n/a	1		
65	Bolt	nss	2	Available as 901991 and 958247	
66	Dome nut	nss	2	Available as 901991 and 958247	
67	Bolt	nss	1	Available as 958247	
68	Waved spring	n/a	1		
69	Bolt	n/a	1		
70	Washer	nss	2	Available as 926512	
71	Screw	nss	2	Available as 926512	
72	Screw	n/a	1		
73	Rod holder A	nss	1	Available as 903964	
74	Rubber ring	nss	1	Available as 903964	
75	Rod holder B	nss	1	Available as 903964	
76	Screw	n/a	4		
77	Screw	n/a	4		
78	Screw	n/a	2		
79	Bolt (slider)	n/a	1		
80	Carrier plate thickness adjustment	n/a	1		
81	Magnet	nss	1	Available as 958254	
82	Magnet switch	n/a	1		
83	Microswitch bracket	n/a	1		
84	Microswitch	910689	1		
85	Locking pin system	nss	1	Available as 958247	
86	Limiter sledge	n/a	1		
87	Protective strip	n/a	1		
88	Screw	n/a	1		
89	Oil seal	n/a	1		

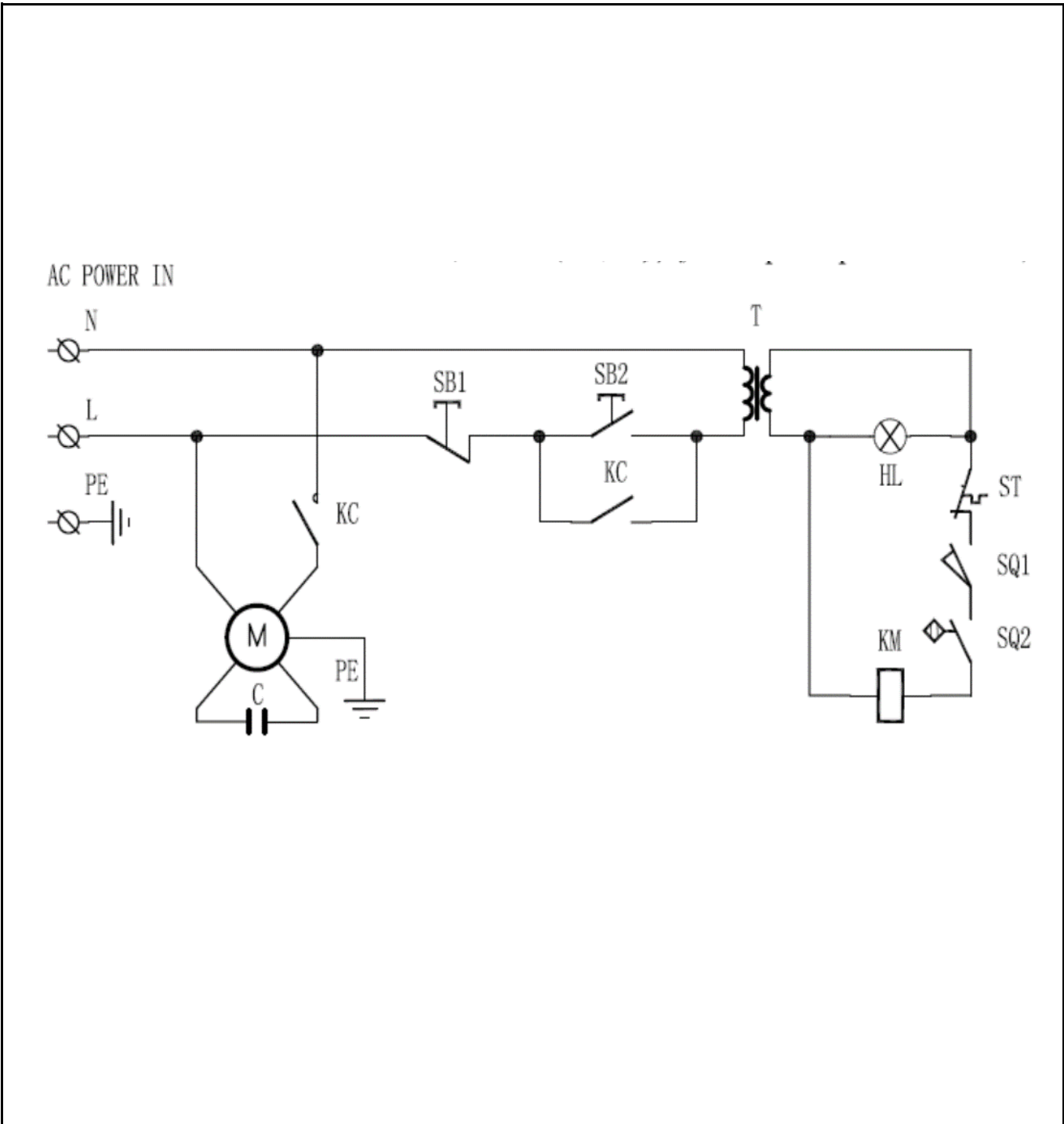
n/a -> not available

nss -> not sold separately

Circuit diagram

 HENDI Tools for Chefs Hendi B.V. Steenoven 21 3911 TX Rhenen The Netherlands	Batch #	Appliance part#
	HK033219 and up	210086
	Description	
	Slicer Profi Line 250 red edition	

Date	26-10-2020	Revision #	1.0
Revision	First Bill of Materials (BOM)		



Wiring diagram



Tools for Chefs

Hendi B.V.
 Steenoven 21
 3911 TX Rhenen
 The Netherlands

Batch #
HK033219 and up

Appliance part#
210086

Description
Slicer Profi Line 250 red edition

Date	26-10-2020	Revision #	1.0
Revision	First Bill of Materials (BOM)		

